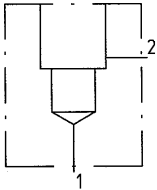


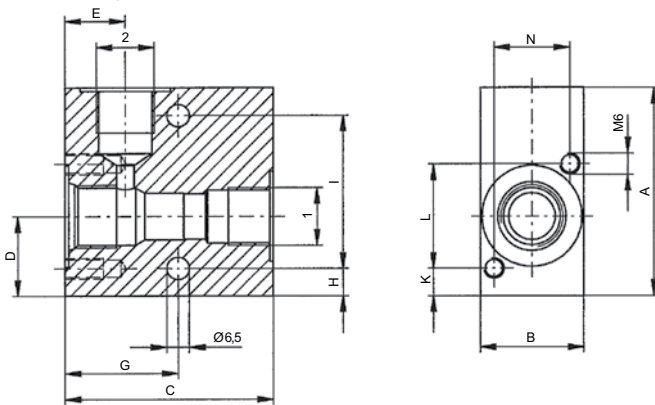
Line mount body

- for pressure relief valves in screw-in cartridge construction
- $p_{max} = 400 \text{ bar}$

M18x1,5
M22x1,5
M33x2
M42x22

VARIATIONS
Types
C02

TYPE CODE

Line mount body made of steel		KG	<input type="text"/>	- C02 #	<input type="text"/>
Port size	G 1/4" <input type="text" value="G14"/> G 3/8" <input type="text" value="G38"/>				
	G 1/2" <input type="text" value="G12"/> G 3/4" <input type="text" value="G34"/>				
	G 1 1/4" <input type="text" value="G114"/>				
Cavity thread diameter	M18x1,5 <input type="text" value="18"/> G 1/4" and G 3/8"				
	M22x1,5 <input type="text" value="22"/> G 3/8" and G 1/2"				
	M33x2 <input type="text" value="33"/> G 3/4"				
	M42x2 <input type="text" value="42"/> G 1 1/4"				
Variations/Types	C02				
Design index (subject to change)					

DIMENSIONS C02

TYPE C02

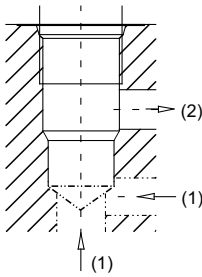
Ordering code	Size	Ports		Dimensions (in mm)											Wight
		1	2	A	B	C	D	E	G	H	I	K	L	N	
KGG1418-C02	M18x1,5	G 1/4"	G 1/4"	60	30	60	23	17.3	32.5	8	44	8	30	22	0.65 kg
KGG3818-C02	M18x1,5	G 3/8"	G 3/8"	60	30	60	23	17.3	32.5	8	44	8	30	22	0.65 kg
KGG3822-C02	M22x1,5	G 3/8"	G 3/8"	60	45	60	23	22.5	40	8	44	8	30	32	1.05 kg
KGG1222-C02	M22x1,5	G 1/2"	G 1/2"	60	45	60	23	22.5	40	8	44	8	30	32	1.05 kg
KGG3433-C02	M33x2	G 3/4"	G 3/4"	80	50	80	32.5	30.5	50	11	58	10	45	34	2.05 kg
KGG11442-C02	M42x2	G 1 1/4"	G 1 1/4"	100	60	100	40	33.5	62	11	79	12.5	55	44	3.60 kg

GENERAL SPECIFICATIONS

Description	Line mount body
Mounting	2 location holes 2 tapped holes
Connection	Threaded connections
Mounting position	see valve data sheet
Surface protection	zinc coated

HYDRAULC SPECIFICATIONS

Peak pressure	$p_{max} = 400 \text{ bar}$
---------------	-----------------------------

CARTRIDGE CAVITY


Type	Cavity according to:	For detailed cavity drawing see data sheet:
M18x1,5	ISO 7789-18-02-0-98	2.13-1001
M22x1,5	ISO 7789-22-02-0-98	2.13-1003
M33x2	ISO 7789-33-02-0-98	2.13-1041
M42x2	ISO 7789-42-02-0-07	2.13-1048

SCREW-IN CARTRIDGES INSTALLED

According to the type the following screw-in cartridges can be installed in the line mount bodies:

Type **Data sheet no.**
M18x1,5

BV.PM18	2.1-510
BS.PM18	2.1-520
BS.PM18-Z36	2.1-522
BVPPM18	2.3-510
BDPPM18	2.3-520

M22x1,5

BV.PM22	2.1-530
BVTPM22	2.1-532
BVEPM22	2.1-536
BA.PM22	2.1-540
BK.PM22	2.1-542
BS.PM22-Z36	2.1-543
BVPPM22	2.3-529
BVPPM22-../ME	2.3-537
BNIPM22	2.3-533
BVBPM22	2.3-536
BDPPM22	2.3-539
BDPPM22-../ME	2.3-561
BDIPM22	2.3-548
BDIPM22-../ME	2.3-562
BDBPM22	2.3-547

M33x2

BV.PM33	2.1-550
BVPPM33	2.3-551
BVPPM33-../ME	2.3-553

M42x2

BVPPM42	2.3-590
---------	---------


CAUTION!

The performance data refer to the screw-in cartridges only. The additional pressure drop in the line mount body must be taken into consideration.

Technical explanation see data sheet 1.0-100