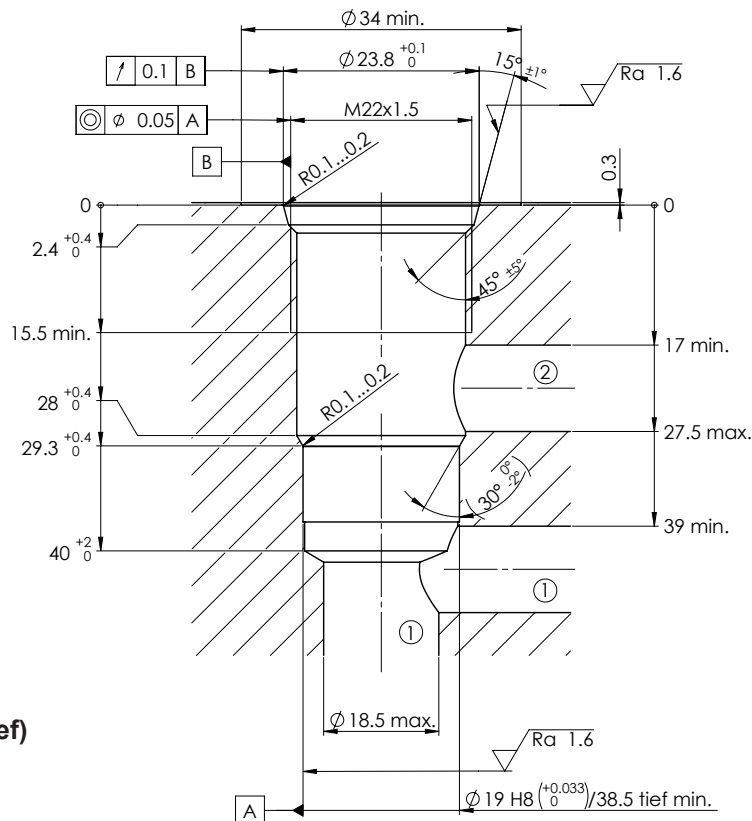
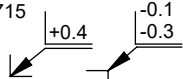
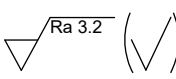


Cartridge cavity ISO 7789-22-01-0-98


**2-way-cavity for
general function
(without pressure relief)**

(Drawing-no. 3-395.4)

Edges according to ISO 13715 	Surface texture 	General tolerances ISO 2768 Length dimensions, curves, chamfers Angles Straightness, flatness Perpendicularity, symmetry Radial runout, axial runout Envelope condition acc. to ISO 14405 ⑤	m m H H H	Extract general tolerances ISO-2768-1
				Nominal dim. >0,5-3 >3-6 >6-30 >30-120
				Linear dim. ±0.1 ±0.1 ±0.2 ±0.3
				Radiuses, chamfer height ±0.2 ±0.5 ±1

Cavity tools

Denomination:	Article number:	Content:	Article number:
2-way M22 x 1,5	983.0804	Form drill	983.0104
		Form reamer	983.0204
		Tap	983.0601

Application

Cartridge type:	Data sheet number:	Cartridge type:	Data sheet number:
SDSPM22-BA/AB-...	1.11-2060	QZ.PM22-...	2.5-535
SDSPM22-BA/AB-...	1.11-2061	D.PPM22-...	2.6-531
SDYPM22-BA/AB-...	1.11-2064	D.BPM22-...	2.6-535
SVSPM22-BC/CB-...	1.11-2082	DNPPM22-../ME	2.6-541
SVYPM22-...	1.11-2084	QNPPM22-...	2.6-631
MS.PM22	2.2-532	QNPPM22-../ME	2.6-633
DNIPM22-...	2.4-532	QNBPM22-...	2.6-634
QRSPM22-...	2.5-530		