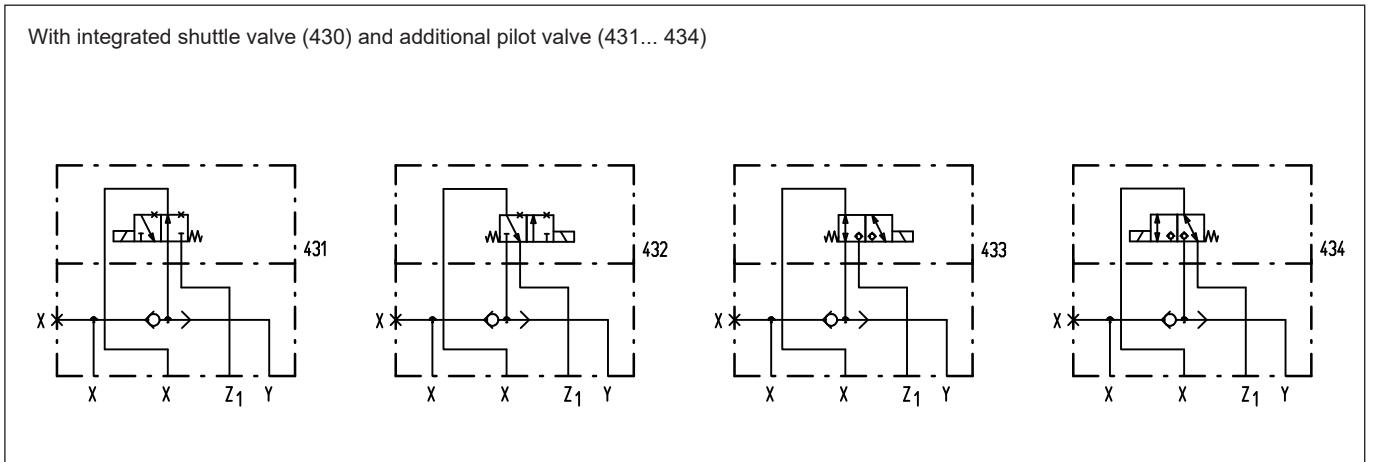
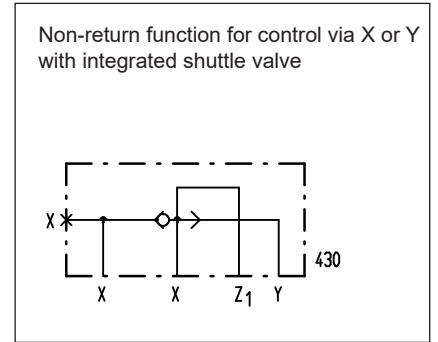
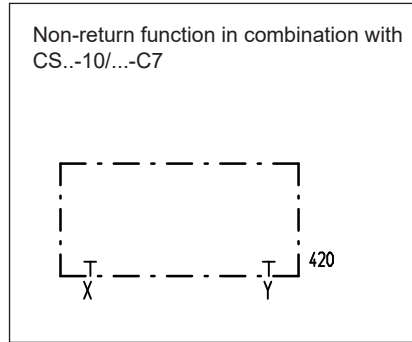
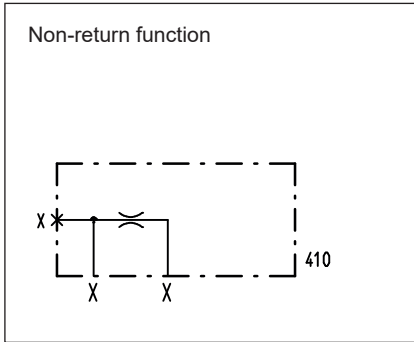


**Control cover
for check function**

 • $p_{max} = 350 \text{ bar}$
NG 32
 ISO 7368

TYPE CODE

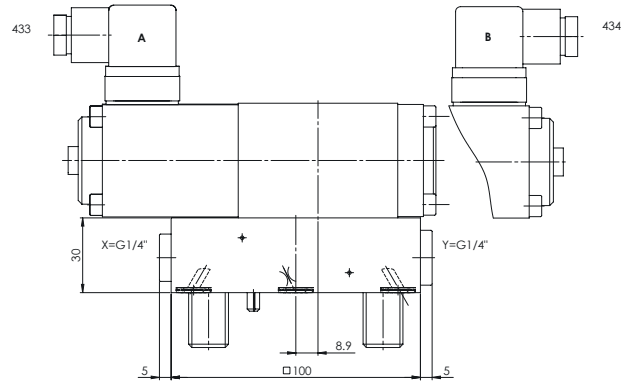
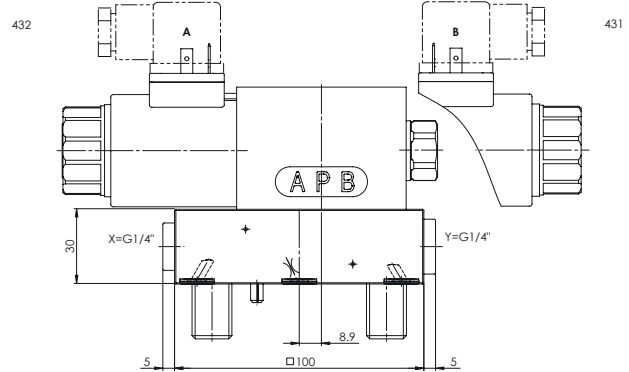
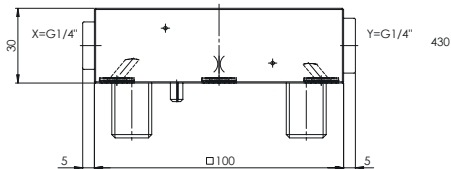
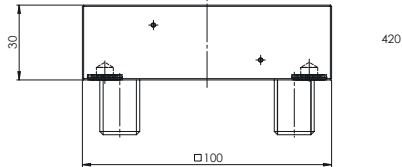
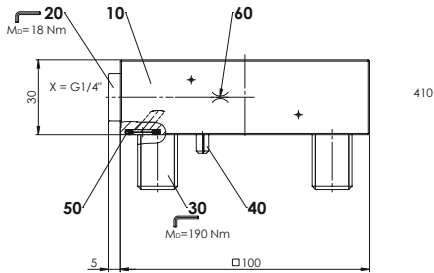
Control cover				D	32		-		/	#	
Nominal size											
Pilot no.											
Solenoid type for pilot valve											
Standard	431, 432			M	.. / WD						
	433, 434			S							
Nominal voltage U_N	12 VDC		G12		115 VAC			R115			
	24 VDC		G24		230 VAC			R230			
Orifice in cover	0.8 mm		0.8								
	1.0 mm		1.0		etc.						
Omit if without orifice											
Design-Index (Subject to change)											

GENERAL SPECIFICATIONS

Construction	Control cover for check function any
Mounting position	any
Installation dimension	see dimension to ISO 7368 see data sheet 2.13-1023
Ambient temperature	-25...+70 °C
Fastening torque	$M_D = 190 \text{ Nm}$ (qual. 8.8) for fixing screws

HYDRAULIC SPECIFICATIONS

Fluid	Mineral oil, other fluid on request
Contamination efficiency	ISO 4406:1999, class 18/16/13 (Required filtration grade $\beta_{6...10} \geq 75$) see data sheet no. 1.0-50/2
Viscosity range	12 mm ² /s to 320 mm ² /s
Fluid temperature	-20...+70 °C
Operation pressure	$p_{\max} = 350 \text{ bar}$

DIMENSIONS

PARTS LIST

Position	Article	Description
10	063.2008	Plate to 410
	063.2000	Plate to 420
	063.2029	Plate to 430
	063.2032	Plate to 431, 432, 433, 434
20	238.2406	Locking screw VSTI G1/4"
	238.3402	Locking screw VSTI G3/8"
30	246.7135	Cyl. screw M16x35 DIN912
	221.2470	Pin $\varnothing 5 \times 16$ DIN1481
50	160.2092	O-Ring ID 9,19x2,62
60	118.2032	Orifice M5 / 0,8 x 5
	118.2052	Orifice M5 / 0,9 x 5
	118.2031	Orifice M5 / 1,0 x 5
	118.2058	Orifice M5 / 1,2 x 5
	118.2072	Orifice M5 / 1,5 x 5

PILOT OPERATED VALVES

Pilot operated valves:	431	WDMFA06-AB1	Data sh. 1.2-59
	432	WDMFA06-AB2	Data sh. 1.2-59
	433	AS32060b	Data sh. 1.11-2140
	434	AS32061a	Data sh. 1.11-2140