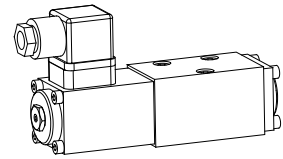


Proportional directional valve

- not pressure compensated
- $Q_{max} = 20 \text{ l/min}$
- $Q_{Nmax} = 8 \text{ l/min}$
- $p_{max} = 315 \text{ bar}$

NG4-Mini®

DESCRIPTION

Direct operated proportional spool valve in flange design NG4-Mini according to Wandfluh standard with 4 ports. The spool valve is designed to the 5 chamber principle. The volume flow is adjusted by a Wandfluh proportional solenoid (VDE standard 0580). Low pressure drop due to the body design and spool profiling. The spool is made of hardened steel. The body made of high grade hydraulic casting for long service life is painted. The cover and the solenoid are zinc coated.

FUNCTION

Proportionally to the solenoid current spool stroke, spool opening and valve volume flow will increase. Proportional directional valves NG4-Mini are not load-compensated. The optimum spool shape and progressive characteristics curve allow fine motion control. To control the valve Wandfluh proportional amplifiers are available (see register 1.13).

APPLICATION

Proportional directional spool valves are well suited for demanding applications where high resolution, high volume flow and low hysteresis are requested. They are implemented in industrial hydraulics as well as in mobile hydraulics for the smooth control of hydraulic actuators. Application examples: pitch control of wind generators, forest and earth moving machines, machine tools and paper production machines with simple position controls, robotics and fan control.

TYPE CODE

	B	PW	<input type="text"/>	-	<input type="checkbox"/>	-	<input type="text"/>	#	<input type="checkbox"/>
Interface acc. to Wandfluh standard									
Spool valve, direct operated									
Description of symbols acc. to table									
Nominal volume flow Q_N	4 l/min	<input type="checkbox"/>							
	8 l/min	<input type="checkbox"/>							
Nominal voltage U	12 VDC	<input type="checkbox"/>							
	24 VDC	<input type="checkbox"/>							
Design-Index (Subject to change)									

GENERAL SPECIFICATIONS

Nominal size	NG4-Mini acc. to Wandfluh standard
Designation	4/2-, 4/3-way proportional directional valve
Construction	Direct operated spool valve
Mounting	Flange, 3 fixing holes for socket head cap screws M5x40
Fastening torque	$M_D = 5,5 \text{ Nm}$ (screw qual. 8.8)
Pipe connection	Connection plates Multi-station flange subplate Longitudinal stacking system
Mounting position	any, preferably horizontal
Ambient temperature	-20...+50°C
Weight: 4/2-way	m = 1,15 kg
4/3-way	m = 1,55 kg

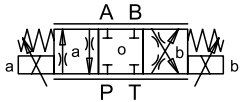
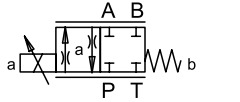
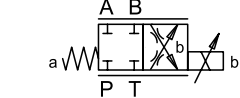
HYDRAULIC SPECIFICATIONS

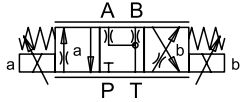
Fluid	Mineral oil, other fluid on request
Contamination efficiency	ISO 4406:1999, class 18/16/13 (Required filtration grade $\beta_{6...10} \geq 75$) refer to data sheet 1.0-50/2
Viscosity range	12 mm ² /s...320 mm ² /s
Fluid temperature	-20...+70°C
Working pressure	$p_{max} = 315 \text{ bar}$ (connections P, A, B)
Tank pressure	$p_{max} = 160 \text{ bar}$ (connection T)
Nominal volume flow	$Q_N = 4 \text{ l/min}, 8 \text{ l/min}$
Max. volume flow	see characteristic
Leakage volume flow	on request
Hysteresis	$\leq 5\%$ * * at optimal dither signal

ELECTRICAL SPECIFICATIONS

Construction	Proportional solenoid, wet pin push type, pressure tight	
Standard-Nominal voltage	U = 12 VDC	U = 24 VDC
Limiting current	$I_G = 1250 \text{ mA}$	$I_G = 680 \text{ mA}$
Relative duty factor	100% DF (see data sheet 1.1-430)	
Protection class	IP 65 acc. to EN 60 529	
Connection/Power supply	Over device plug connection acc. to ISO 4400/DIN 43650 (2P+E)	
Other electrical specifications	see data sheet 1.1-115 (PI35V)	

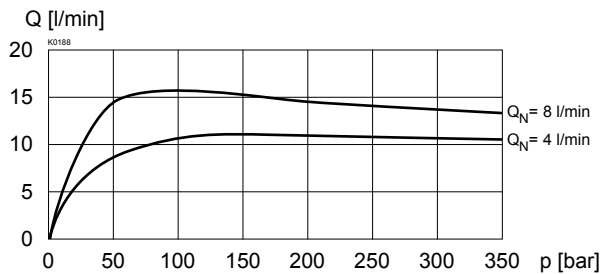
TYPE CHARTS / DESIGNATIONS OF SYMBOLS

	S 4 D41 S = Symmetrical control mode
	S 4 Z41a S = Symmetrical control mode
	S 4 Z41b S = Symmetrical control mode

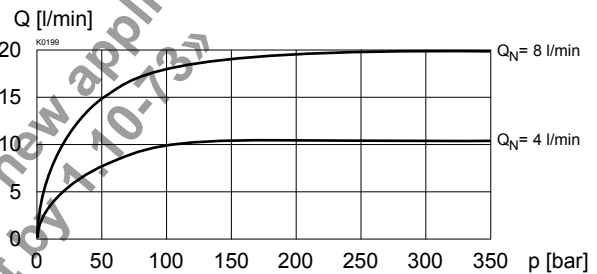
	V 4 D42 V = Meter-in control mode
--	---

CHARACTERISTICS oil viscosity $\nu = 30 \text{ mm}^2/\text{s}$

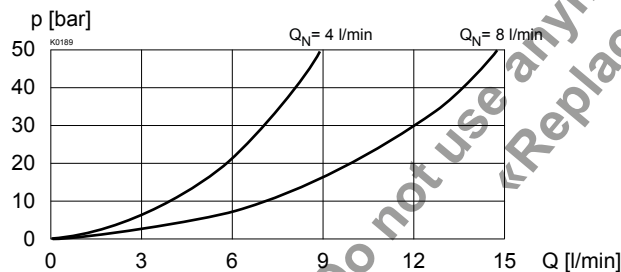
$Q = f(p)$ Volume flow pressure characteristics ($l = l_0$)
[Types: S4D41, S4Z41a, S4Z41b]



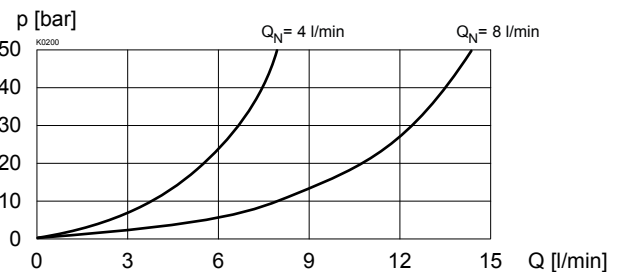
$Q = f(p)$ Volume flow pressure characteristics ($l = l_0$)
[Type: V4D42]



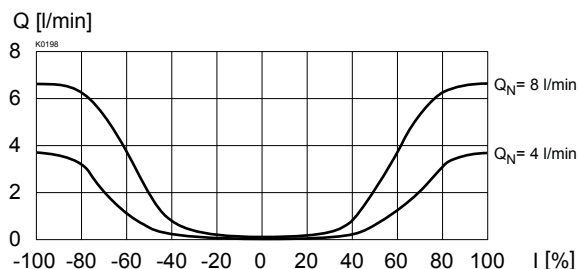
$\Delta p = f(Q)$ Pressure loss/flow characteristics ($l = l_0$)
[Types: S4D41, S4Z41a, S4Z41b]



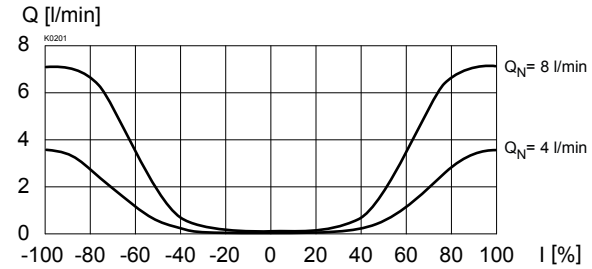
$\Delta p = f(Q)$ Pressure loss/flow characteristics ($l = l_0$)
[Type: V4D42]



$Q = f(l)$ Volume flow adjustment characteristics ($\Delta p = 10 \text{ bar}$)
[Types: S4D41, S4Z41a, S4Z41b]



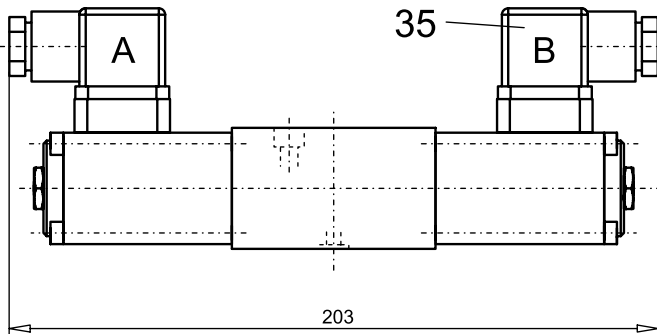
$Q = f(l)$ Volume flow adjustment characteristics ($\Delta p = 10 \text{ bar}$)
[Type: V4D42]


NOTE!

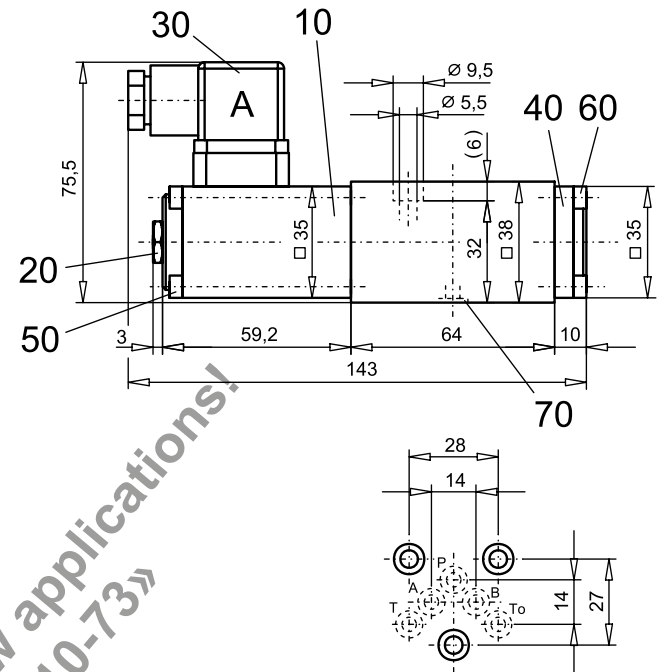
All values measured over 2 metering edges, A and B ports linked.

DIMENSIONS

4/3-way valve



4/2-way valve


PARTS LIST

Position	Article	Description
10	256.3454 256.3426	Proportional solenoid PI35V-G24 Proportional solenoid PI35V-G12
20	253.8000	Plug with integrated manual override HB4,5
30	219.2001	Plug A (grey)
35	219.2002	Plug B (black)
40	057.4208	Cover
50	246.1161	Socket head cap screw M4x60 DIN 912
60	246.1111	Socket head cap screw M4x10 DIN 912
70	160.2052	O-ring ID 5,28x1,78

ACCESSORIES

Sub-plates	Register 2.9
Proportional-amplifier	Register 1.13

Technical explanation see data sheet 1.0-100E